

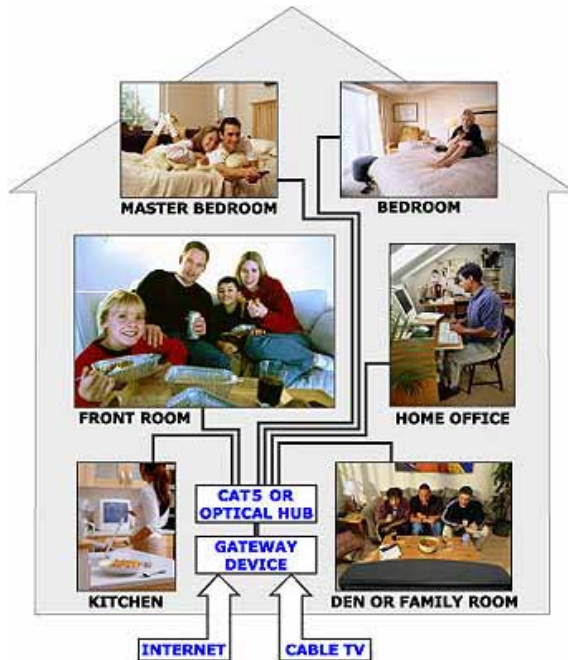
Überlegungen zu POF und zur strukturierten Verkabelung EN 50173-4

18 May 2006

Copyright: Josef Faller GmbH

Supported by  **MITSUBISHI RAYON CO.,LTD.**

Die Herausforderungen



Achieving the Entertainment Continuum is hindered by five missing functionalities:

- 1 **Signal transport:** Moving the various analog and digital audio, video and data formats with **one simple cable** - or wireless.
- 2 **Signal processing** and access to storage: Converting the **various source formats** to the playback format and providing storage capabilities (time shift or long term storage).
- 3 **Signal security:** Protecting **copyrighted content**, thereby encouraging providers to increase content availability.
- 4 **Device management:** Integrated, two-way status and **control between devices**.
- 5 **User interface:** Providing integrated, interactive network-wide, **consumer-friendly access** to content.

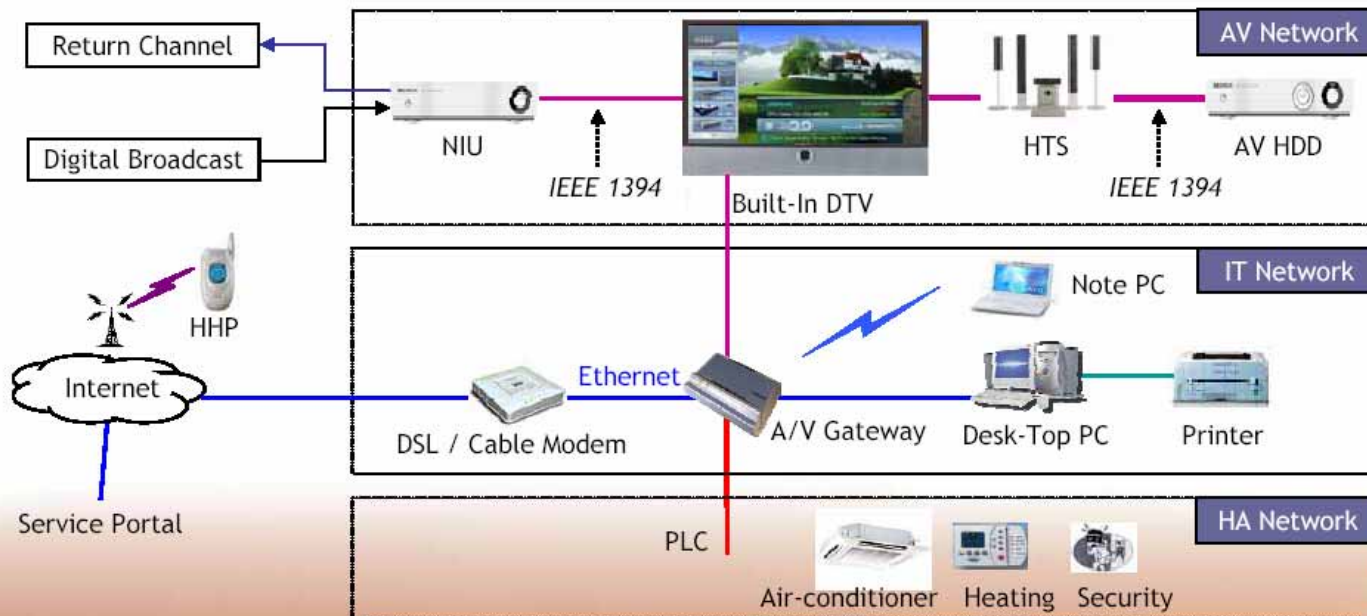
HANA & Consumer Electronics

...understand what TV consumer really want
(...and they are not PC freaks...)



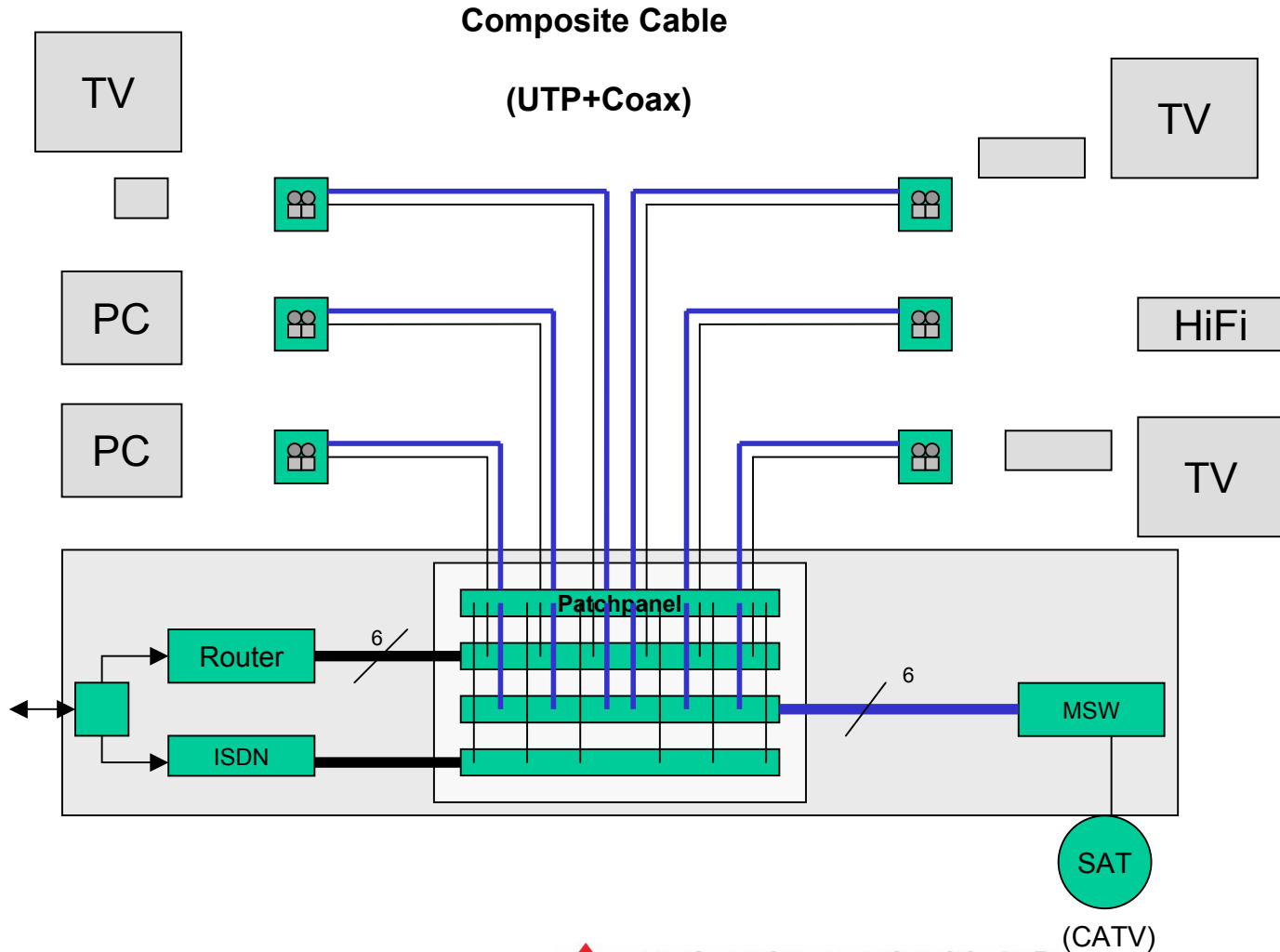
Network Segmentation

- **Segment AV from IT or Home Appliance Networks**
 - Commercial contents stay within a “Trust Network”.
 - AV Network is a Trust Network. IT Network is not a Trust Network.
 - Personal contents from IT Network flow into AV Network via A/V Gateway

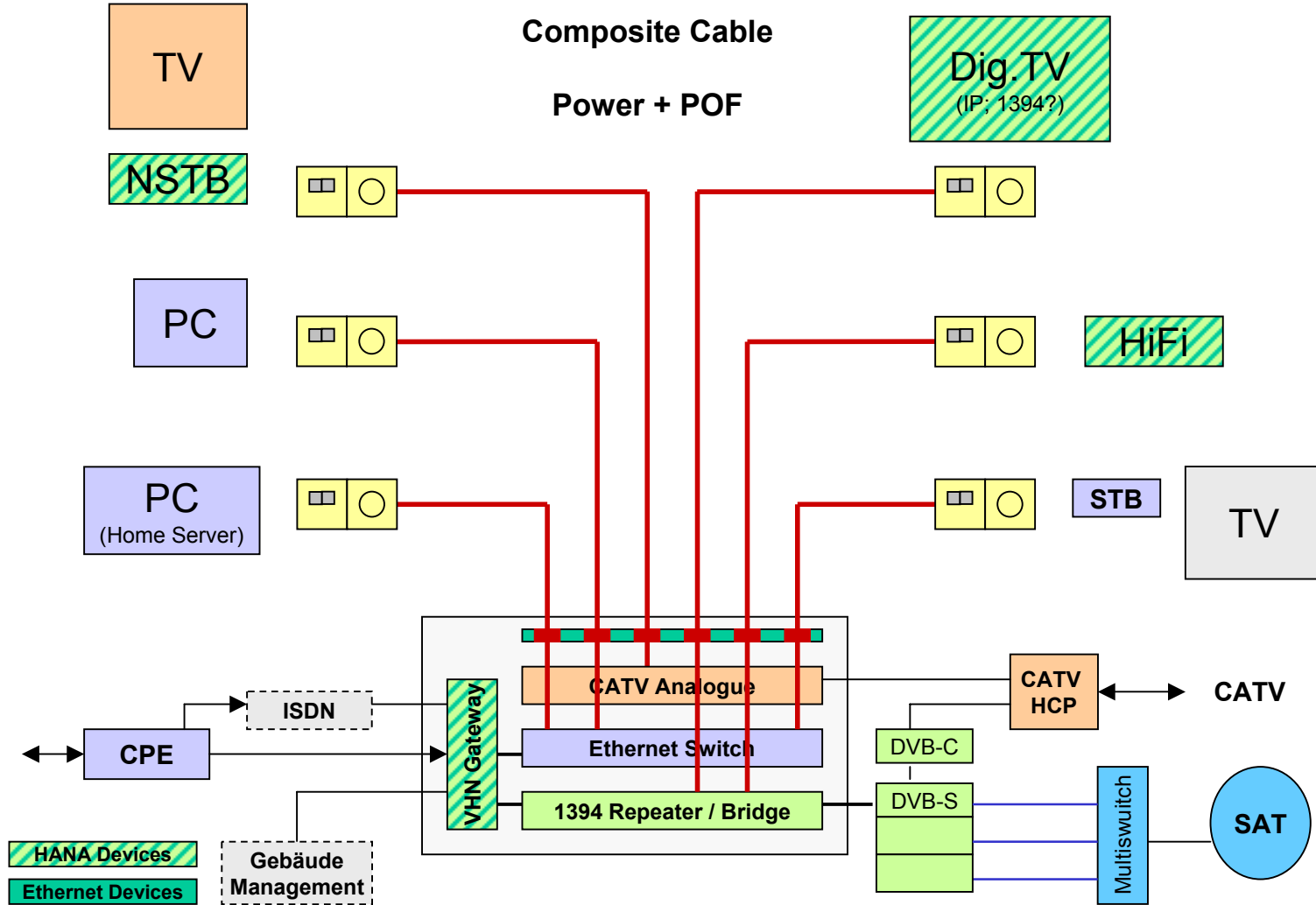


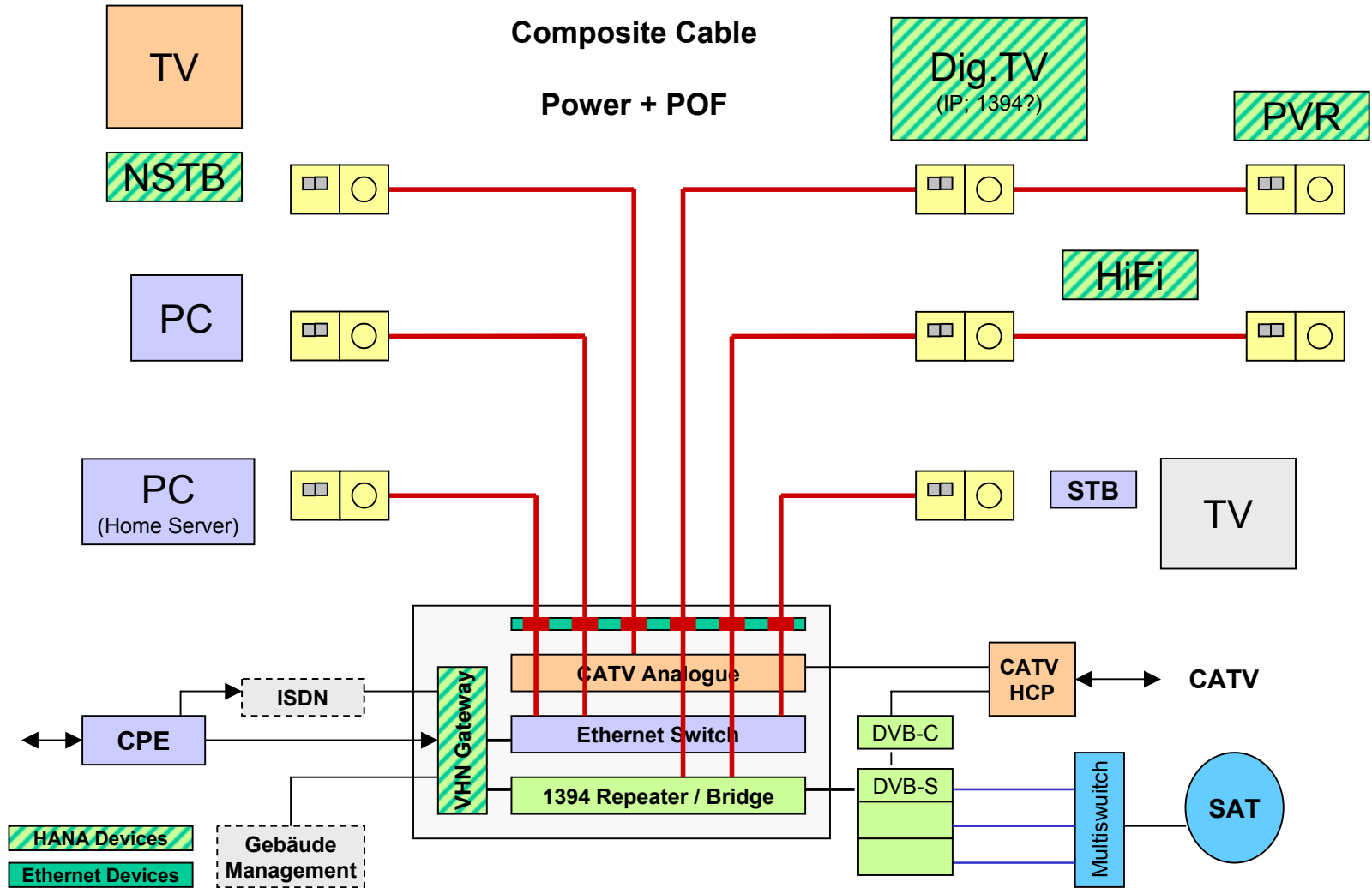
• NIU : Network Interface Unit

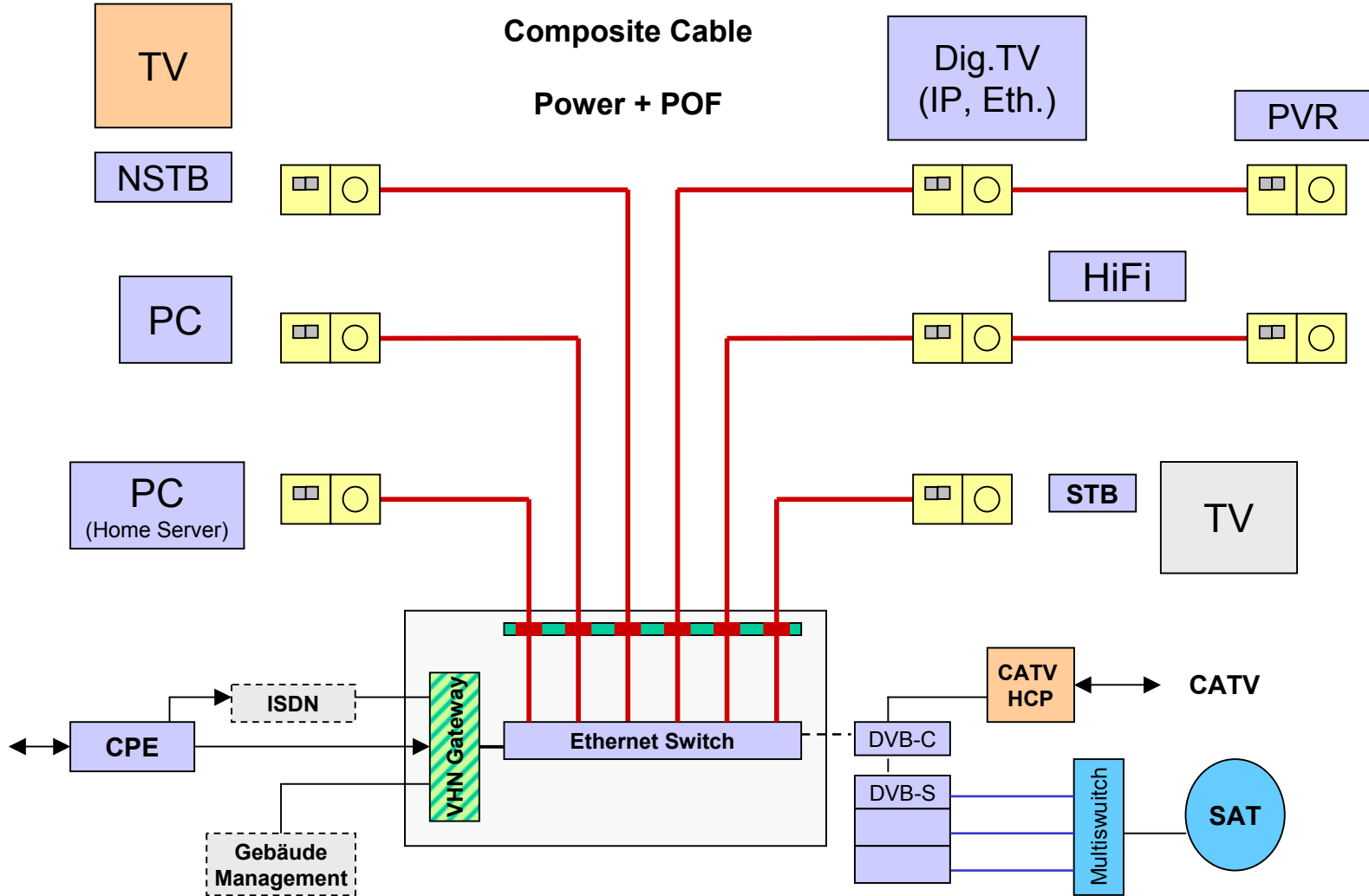
Was wir heute haben

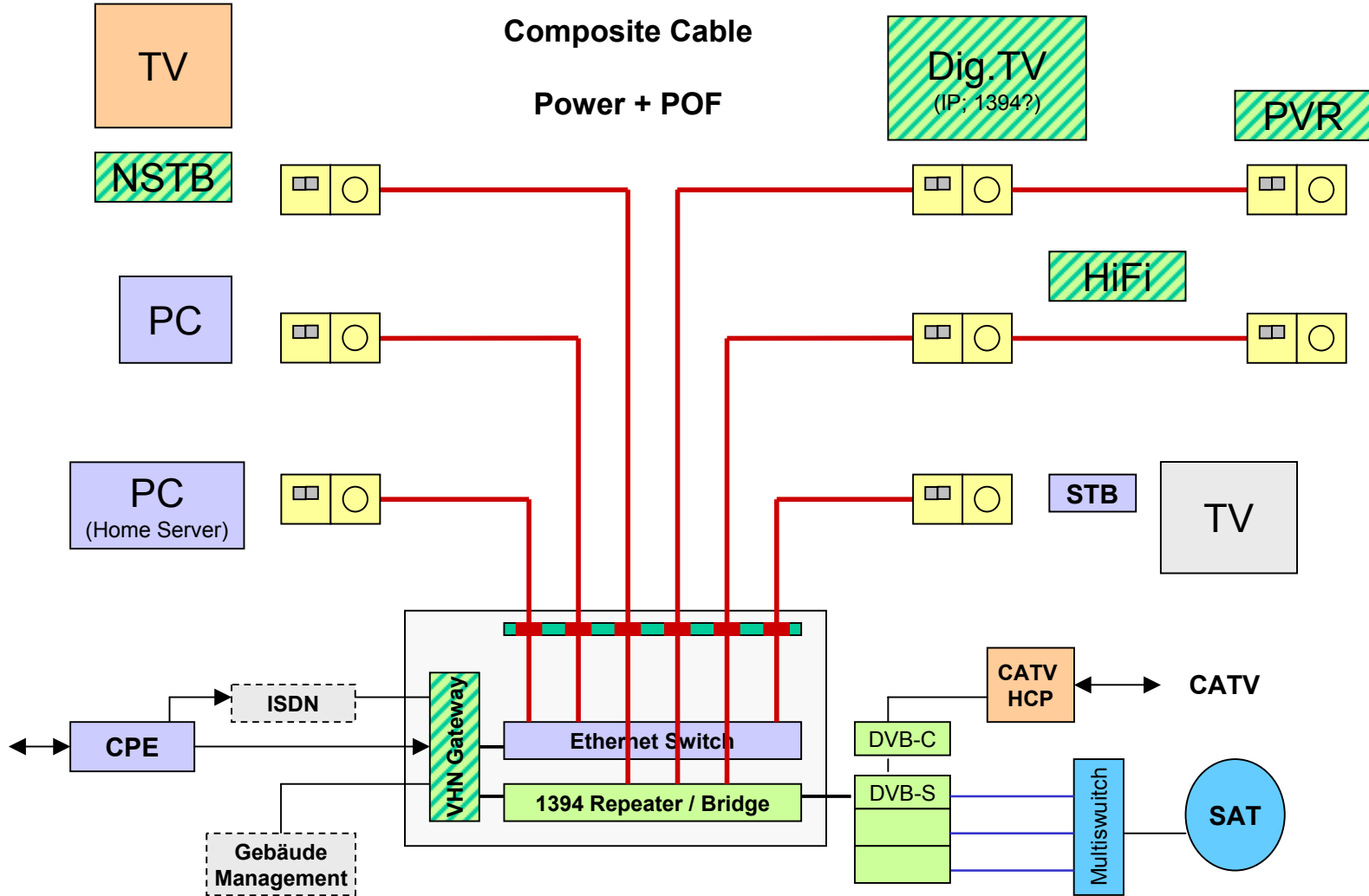


POF & Strukturierte Verkabelung

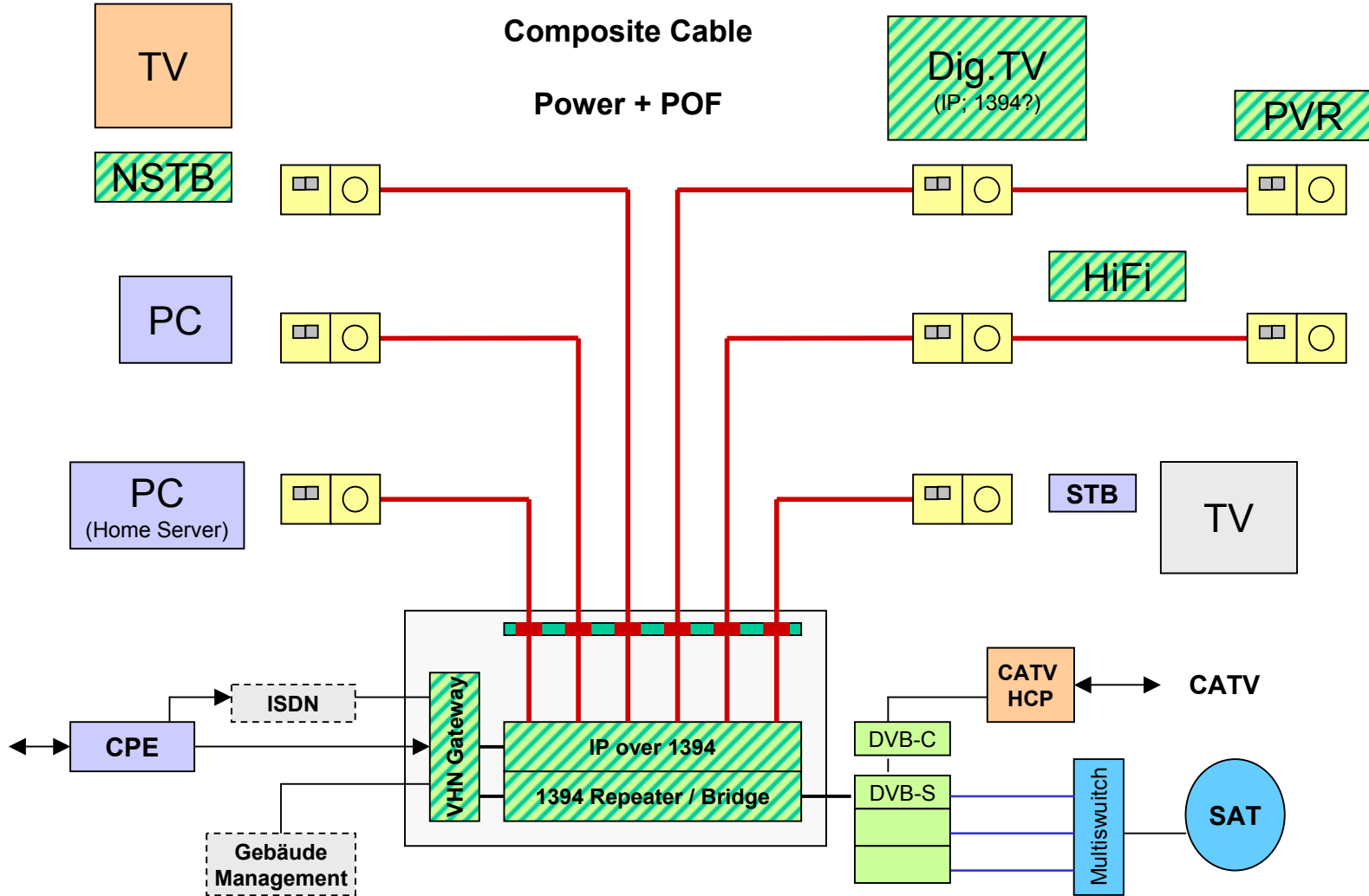


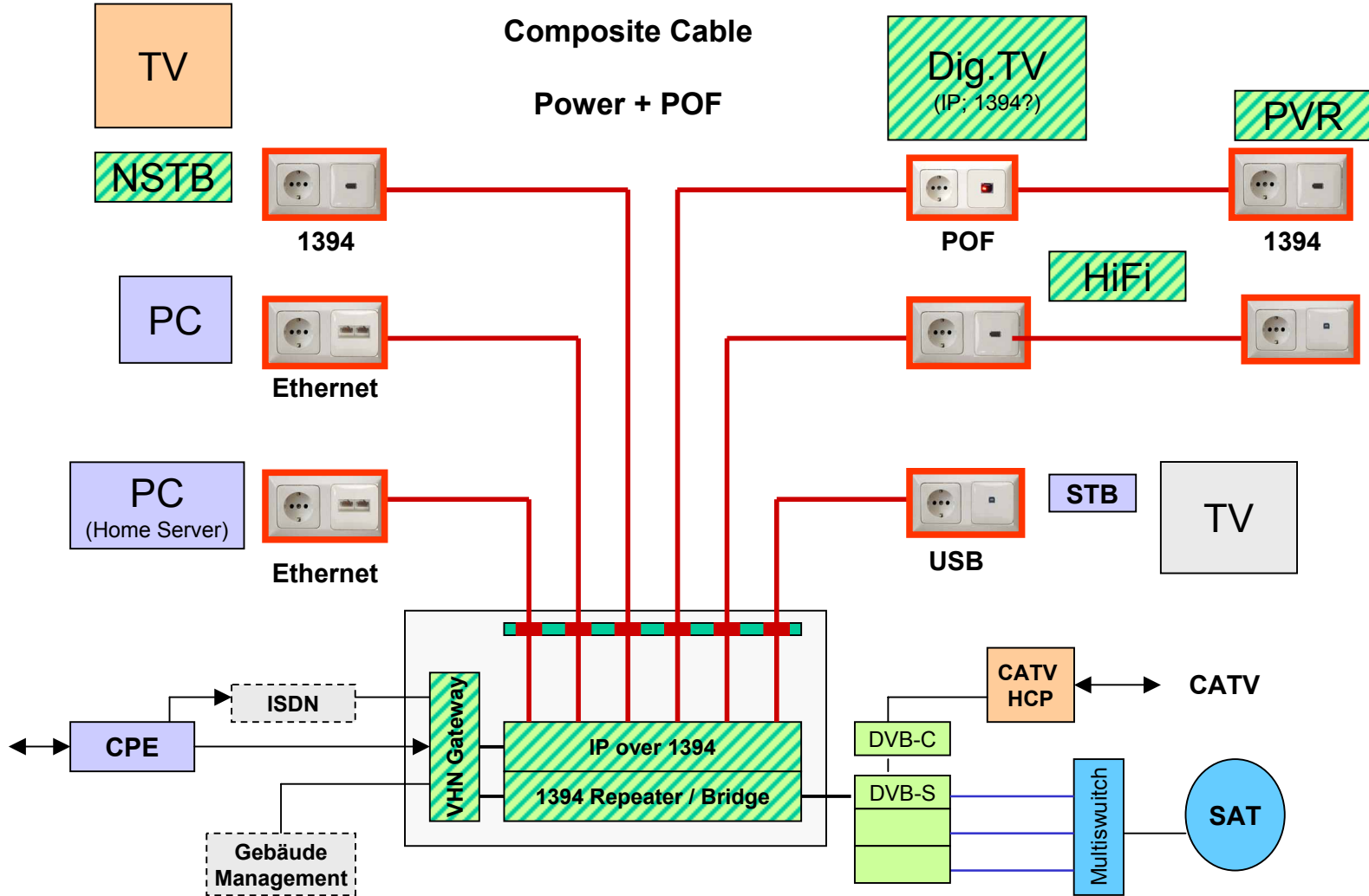




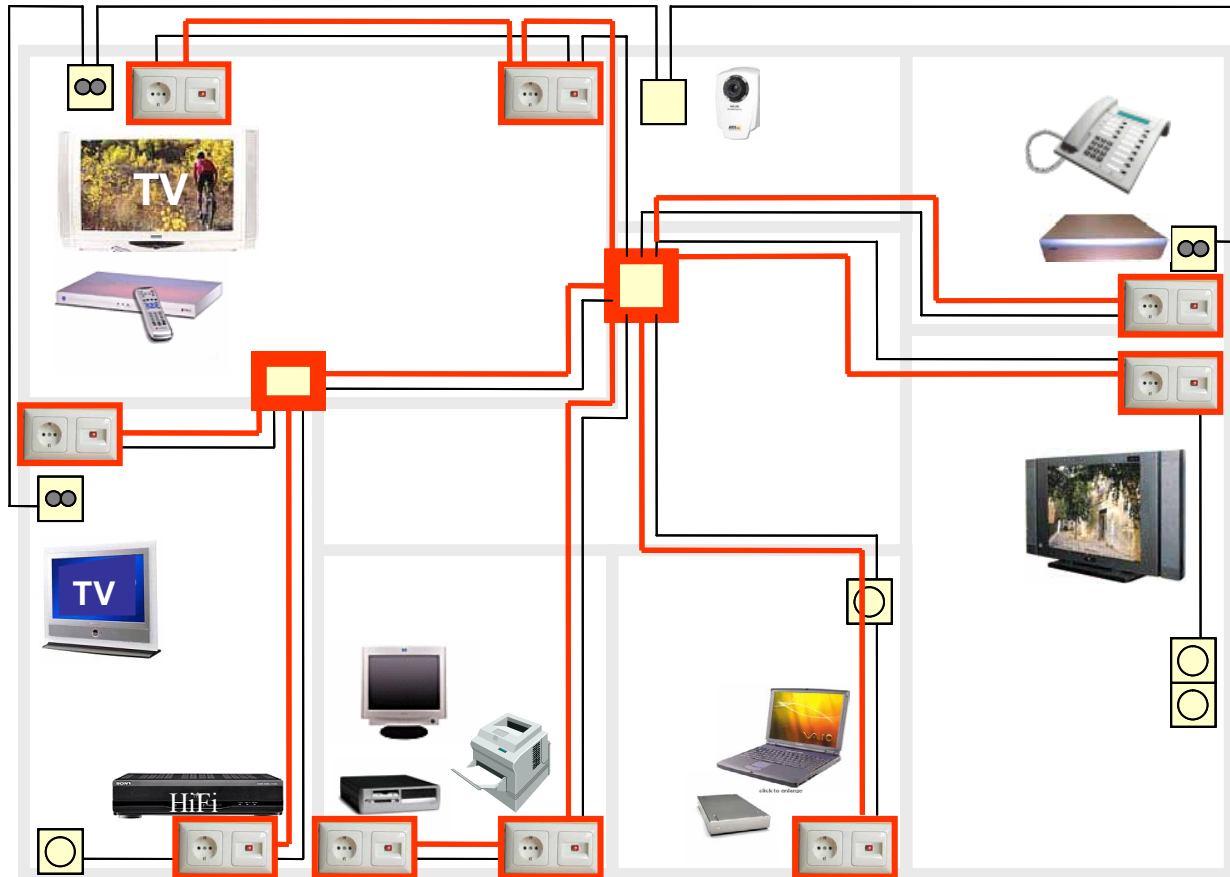


POF & Strukturierte Verkabelung





Die integrierte Installation



18 May 2006

Copyright: Josef Faller GmbH

Supported by  MITSUBISHI RAYON CO.,LTD.

Vorteile

Keine Erdungsprobleme

Volle Versorgung aller Stromauslässe mit mind.100Mbps

Optimales Integrations Potential

Added Value für Installations Branche

Keine EMV – Probleme, hohe Störfestigkeit

Lösung für Sicherheitsklasse 2 – E-Verteiler

....

Vorteile

Danke

Josef F. Faller

Josef Faller GmbH
Untere Vorstadt 32
9853 GMÜND
Austria