

EM-RJ

The new
**connectors and
adaptors**
for
all optical networks

EM+RJ / Motivation



Why a new connector ?

Requirements of our customers and of the market:

- Connectors with high packing density, which can be used in networks and industry.
- high mechanical stability
- well known and approved connector face.
- Powertransmission and transmission of high data rates within one cable and with one connector.

EM-RJ / The concept



- Duplex-connector with single spring-loaded ferrules with the well-known RJ45-connector-face completely compatible to standard DIN EN 60603-7.
- Standard sizes for adaptors, as SC-duplex and Keystone.
- High packing density (Small form factor),
- Hybrid-connector for fiber optics and copper.

EM-RJ

Fiber optic connectors



POF



MM

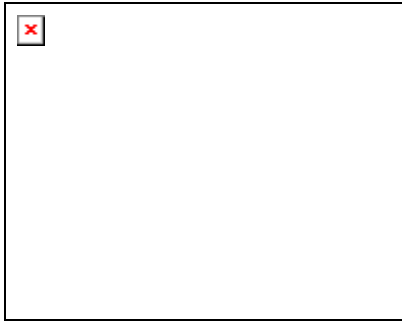


SM

- Duplex-connector with face according RJ-45 standard
- Two ferrules \varnothing 2.5 mm (available in ceramic, metal, plastic)
- Field termination is possible
- Tools and test equipment as SC
- [EMRJ Stecker POF englisch.pdf](#)

EM-RJ

Fiber Optic adaptors

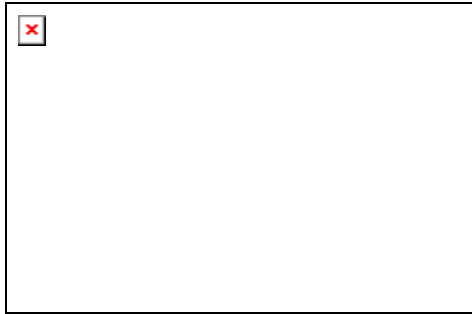


- Adaptor according RJ-45 standard
- Keystone
- IP 20



- 4-fold adaptor (Duplex version possible)
- suitable for SC duplex/simplex footprint
- IP 20

Active components



- Fast Ethernet Transceiver (1x9)
Media convertor for POF
- 125 Mbit/s
- Wavelength 655 nm
- Max. transmission range 70 m



Fast Ethernet Switch

EM-Net Mediaconverter POF

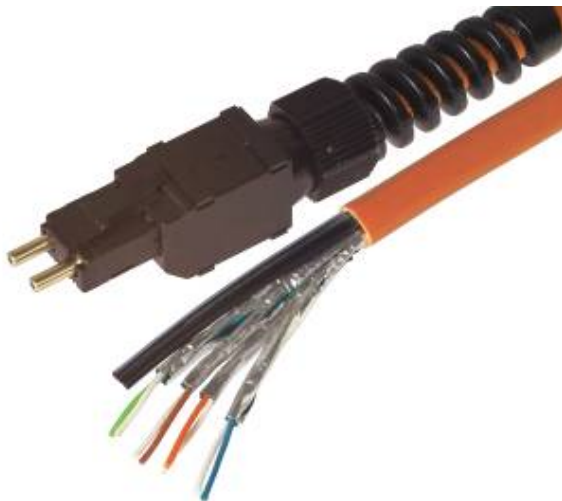


Overview fiber optic components

- I. Fiber optic connectors (MM, SM, APC, POF, Special fibers)
- II. Fiber optic adaptors
 - (Keystone according to RJ45) Duplex adaptors
 - 4-fold adaptor with SC-duplex-footprint
- III. Accessories
 - Crimping sleeves, dust caps etc.
- IV. Active Components
 - Transceiver (1 x 9, 2 x 5 SFF) (for POF/ for glas fiber will be developed at present)
 - Switches (for POF/ for glas fiber will be developed at present)
 - Media convertor (POF)

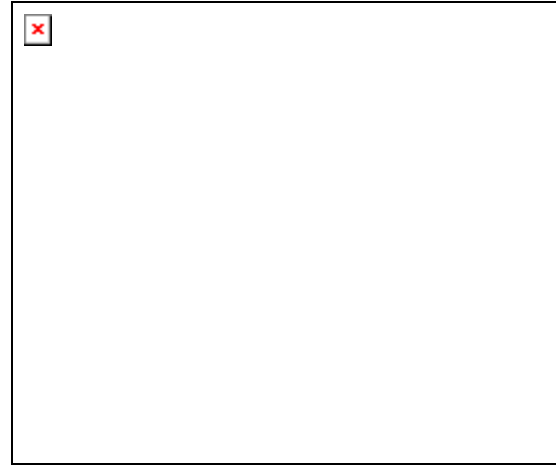
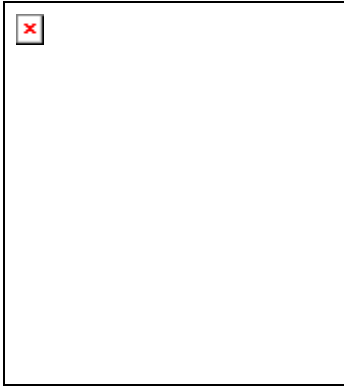
EM-RJ

Hybrid-connector



- **Fiber-optic Duplex-connector with the connector-face according to RJ-45 standard DIN EN 60603-7 DIN EN 60603-7**
- **with 8 Coppercontacts for Fast Ethernet (CAT 5)**
- **Usable for POE**
- **Field termination is possible**
- **[EMRJ Stecker Hybrid POF englisch.pdf](#)**

EM-RJ Hybrid-adaptor

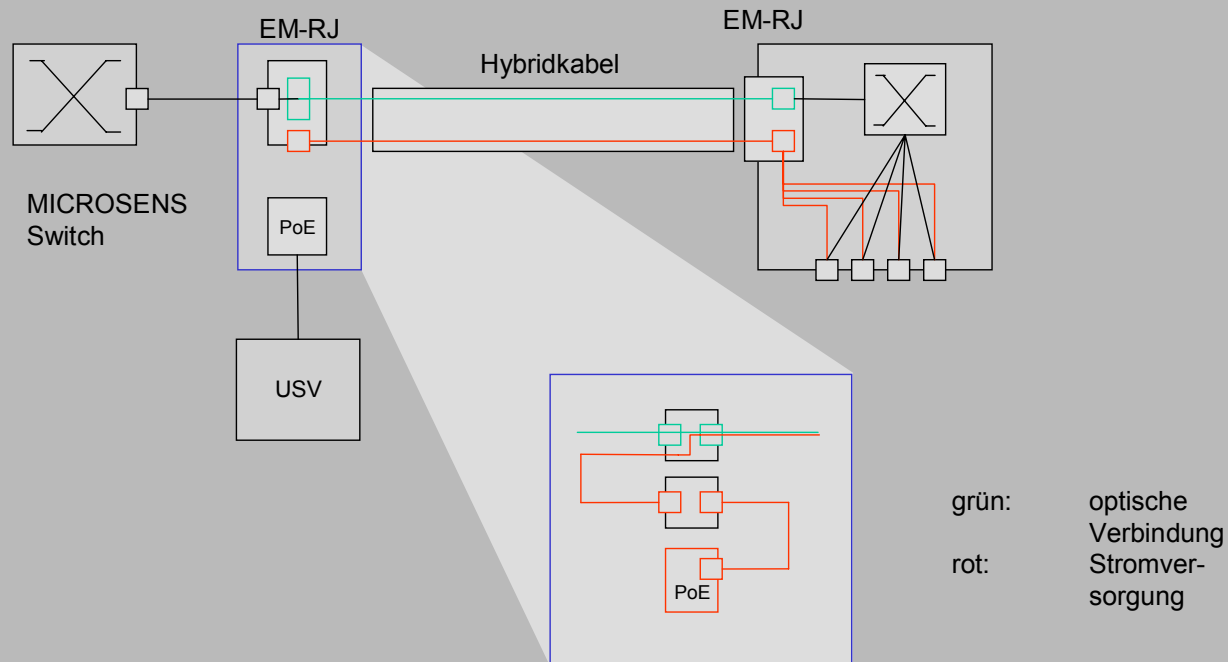


- **Adaptor according to RJ-45 Standard with 2 x 8 spring contacts inside**
- **Duplexadaptor Keystone**
- **IP 20**
- **For installation in wall outlets a.s.o.**

POE Concept



Konzept-Skizze: EM-RJ Hybrid (Glas und Kupfer), PoE (Power over Ethernet),
Fiber to the office



Overview fiber optic components

I. Hybrid-connectors

- For MM, SM, APC, POF, Special fibers

II. Hybrid-adaptors

- Duplexadaptors(Keystone according RJ45)

III. Accessories

IV. Active components

- Transceiver (1 x 9, 2 x 5 SFF) (for POF/ for glas fiber will be developed at present)
- Switches (for POF/for glas fiber will be developed at present)

- In all networks where high packing densities are necessary (Duplex-SFF-connectors), mainly as alternative to LC
- Particularly suitable for FTTH and FTTD
- In-House-networks in co-operation with media converters
- Industrial applications with needed protection category from IP20 to IP67

EM-RJ

Application



- Installations in Industry with POF, were POE delivers additional advantages
- IP-Telephony (electrical power supply of the telephone)

EM-RJ



More Information at booth

15.001

Thank You